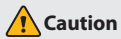


FC-AQ

- No restriction on installation orientation
- Low cost and off-the-shelf product



Caution
 Refrain from flowing chemical due to the nature of plastic.
 Prevent Tapered tube from adhering sealing material used in plumbing.
 Some sealing materials may cause chemical damage to Tapered tube.
 Using epoxy-based material is recommended.

Model number selection

Base model	Fluid name	Units	Max. flow	Connection size	Option	Specialized item(s)
FC-AQ	<input type="text"/>	B	<input type="text"/>	<input type="text"/>	<input type="text"/>	<input type="text"/>

Option	High pressure type	Connection size	Base model
VP			
01		Rc1/4	30
02		Rc3/8	
03		Rc1/2	
04		Rc3/4	30, 50
05		Rc1	50
06		Rc1 1/4	70
07		Rc1 1/2	
UN02		Union fitting Rc3/8	30
UN03		Union fitting Rc1/2	

Max.	Max. flow rate selected from the available flow range below
B	L/min
1	Water
9	Specialized fluid ※ 1

Base model	Flow range	Connection size
30	0.4 – 5 L/min	Rc1/4, Rc3/8, Rc1/2
	1 – 10 L/min	
	1 – 15 L/min	Rc3/8, Rc1/2, Rc3/4
	2 – 20 L/min	
50	2 – 30 L/min	Rc1/2, Rc3/4
	5 – 50 L/min	
	4 – 50 L/min	
70	5 – 70 L/min	Rc3/4
	10 – 100 L/min	
	10 – 100 L/min	Rc1
	10 – 150 L/min	
	20 – 200 L/min	



Union fitting

This product with union fittings can be removed while plumbed, making maintenance easy.

*1: Specify fluid name, etc at the end of model number selection
 ※ indicates off-the-shelf product.
 ※ Flow ranges shown above are valid with 20°C (293K) of water



Address : 4-3-17 Minamidaira Hino-shi Tokyo Japan 191-0041
 Phone : +81-(0)42-592-6111 FAX : +81-(0)42-592-6112 E-mail : sales@tofco.jp Web site : www.tofco.jp

Dimensions

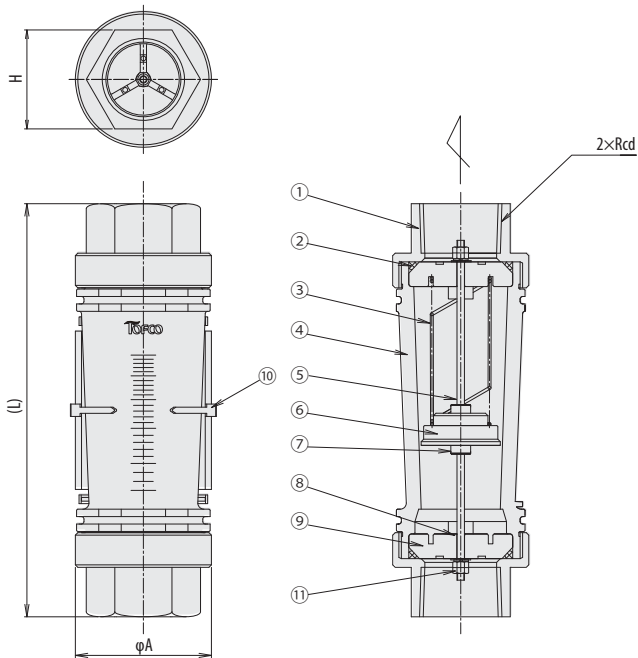
Base model	Rcd	L	ϕA	H
30	1/4	130	35	18
	3/8			21
	1/2			25
	3/4			30
50	3/4	170	55	34
	1			40
70	1 1/4	175	60	49
	1 1/2			55

Specifications

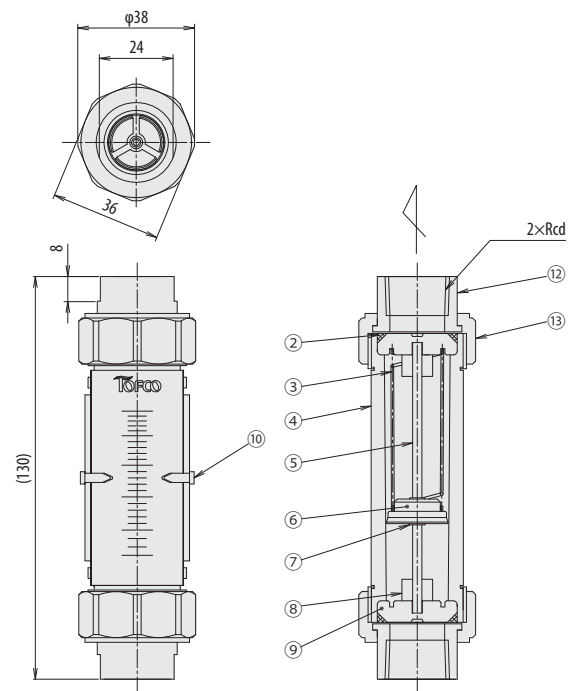
	Standard	VP
Flow accuracy	$\pm 5\%$ of F.S.	
Pressure limit	0.5MPa(G)	1MPa(G)
Fluid temperature limit	100°C	
Operating temperatures	0 – 50°C (Non-condensing)	

Outline drawing

Threaded fitting



Union fitting



Materials

No.	Part name	Material	Remarks
1	Fitting	SCS13	
2	O-ring	FKM	
3	Spring	SS316	
4	Tapered tube	PSU	
5	Guide rod	SS316	
6	Float	PPS, Ferrite	Plastic magnet
7	Sleeve	PPS	
8	Rubber stopper	FKM	
9	Stopper	PPS	
10	Indicator	POM	
11	Nut	SS304	※ FC-AQ50 / 70
12	Union fitting	SS304	
13	Union nut	SCS13	