

## F-YG

- Easily installable between pipes
- Filter cleanable while installed
- Most suitable for removing iron powder with magnet.
- Contaminated condition can be visually confirmed



**Caution** Prevent chemicals / chemical solutions from entering flow path due to plastic-made product

### Model number selection

Base model	Magnet	Mesh size	Options	Specialized item(s)
F-YG <input type="text"/>	<input type="text"/>	<input type="text"/>	<input type="text"/>	<input type="text"/>
	0		0	FKM Fluoroelastomer gasket
	1			60 Mesh
				No
				Yes
Base model	Connection size			
8	Rc1/4			
10	Rc3/8			
15	Rc1/2			
20	Rc3/4			

### Specifications

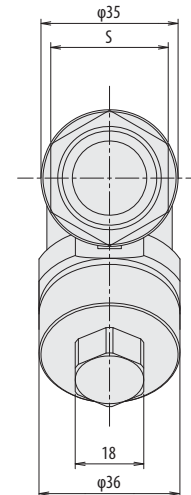
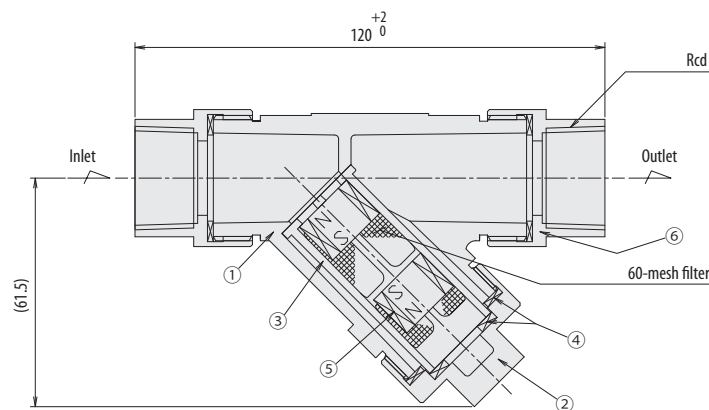
Fluid type	WATER
Pressure limit	1.0MPa(G)
Fluid temperature limit	60°C
Operating temperatures	0 - 60°C

### Dimensions

Base model	Rcd	S
8	Rc1/4	18
10	Rc3/8	21
15	Rc1/2	25
20	Rc3/4	30

※ means off-the-shelf product.

### Outline drawing



### Materials

No.	Part name	Material
1	Body	PA12
2	Cap	SCS13
3	Filter	PP
4	Gasket	NBR
5	Magnet	Ferrite
6	Fitting	SCS13